



tel.: +48 (58) 340 24 40
 fax: +48 (58) 340 24 49
 e-mail: info@alarmtech.pl

Alarmtech Polska Sp. z o.o.
 ul. Kielnińska 115
 80-299 Gdansk-Osowa, Poland

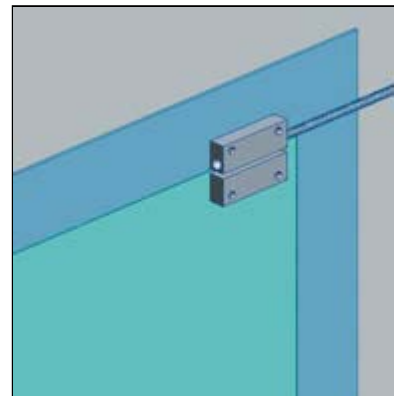
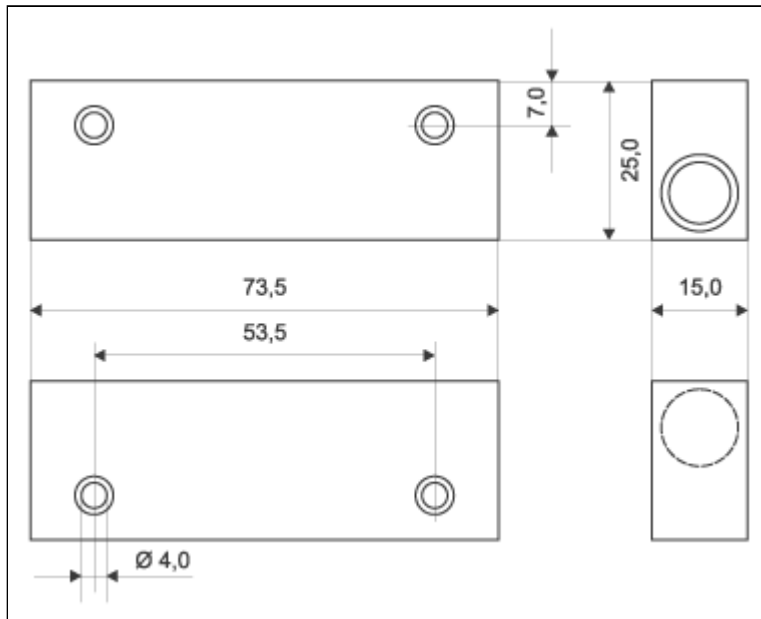
MC 240-S45

MC 240-S45 SET: MAGNETIC REED & MAGNET IN ALUMINUM HOUSING

The MC 240-S45 set is intended for heavy-duty applications, designed to mount on door, gates etc. It includes a magnetic reed MC 240-C in an MC 200-4 Al housing and an extra strong magnet in an MC 200-5 housing to allow contact actuation with wider gaps. The MC 240-S45 set can be used with an MC 200-T armoured sleeving accessory.

TECHNICAL DATA

- Reed relay switch configuration: NC
- Contact rating: max. 200 V DC/peak AC/500 mA/10 VA
- Anti-tamper loop
- 4 wire white lead, VdS approved
- Magnet material: Alnico 5
- Approved by Techom, VdS, ANPI/NVBB and other European certification bureaus.



PRODUCT CODE	PRODUCT DESCRIPTION	GAP DISTANCE - WOOD	GAP DISTANCE - STEEL	PACKAGING
MC 240-S45	MC 240-C magnetic reed housed in the MC 200-4 + magnet housed in the MC 200-5 + white, 6 m, 4 wire lead	43 mm	N/A	1 set